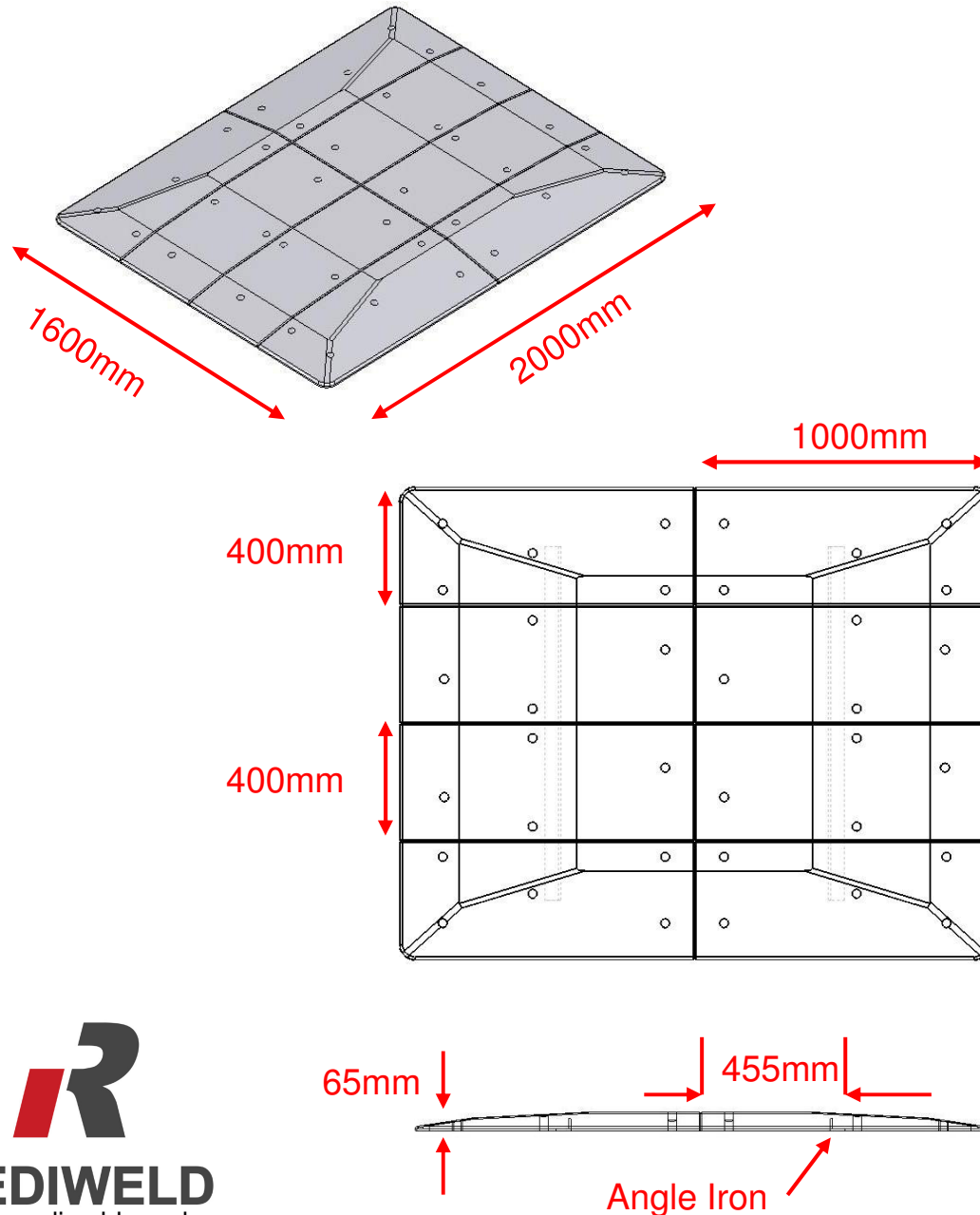


# 1600 x 2000 Surface 65 Speed Cushion



Complete Module Kits		
Component	Weight	Qty
Left Corner	16Kg	2
Right Corner	16Kg	2
400 Ramp	23Kg	4
Total Weight of Modules	156Kg	
M10 x 120mm Coach Screws		36
M10 Washers		36
Torx Screw		6
Rediplug		42
Bungs		36
Resin		2
Nozzles		4
Angle Iron 1140mm long	4Kg	2
Total Weight of Fixing Kit and Angle Iron	15Kg	
<b>Total Weight of Kit</b>	<b>171Kg</b>	