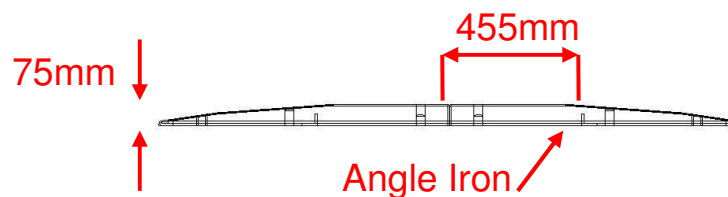
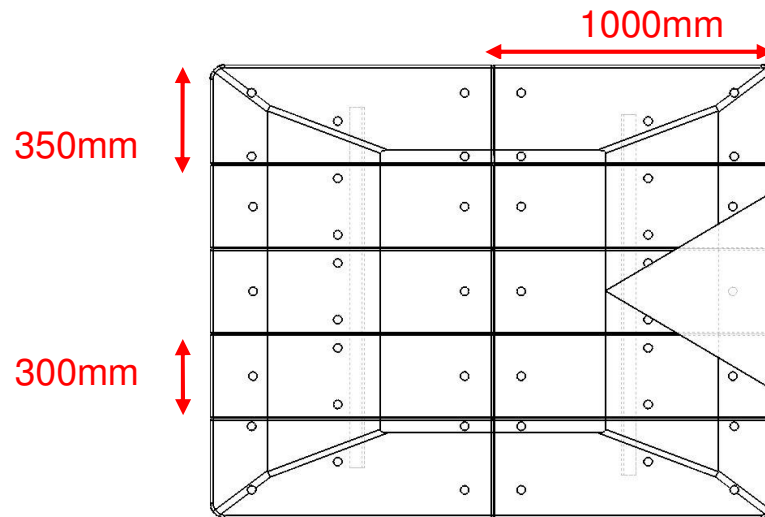
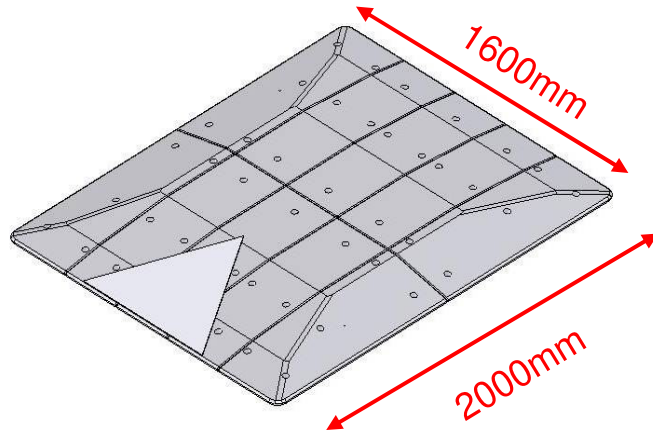


1600 x 2000 Surface 75 Speed Cushion



Complete Module Kits		
Component	Weight	Qty
Left Corner	15Kg	2
Right Corner	15Kg	2
300 Ramp	19Kg	6
Total weight of modules	174Kg	
M10 x 120mm Coach Screws		44
M10 Washers		44
Torx Screw		6
Rediplug		50
Bungs		44
Resin		2
Nozzles		4
Angle Iron 1140 mm long	4Kg	2
Total weight of Fixing Kit & Angle Iron	15Kg	
Total Weight of Kit	189Kg	