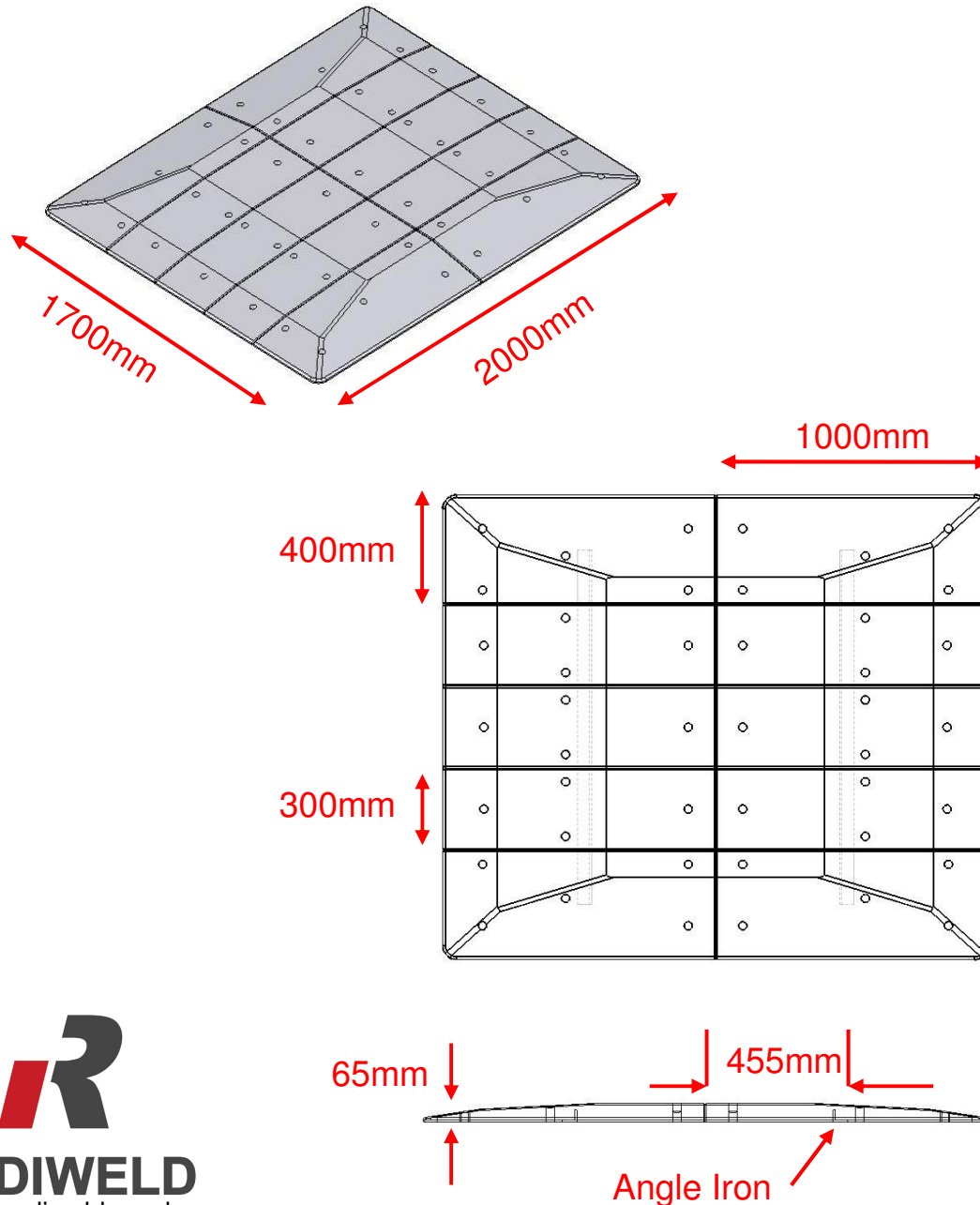


1700 x 2000 Surface 65 Speed Cushion



| Complete Module Kits | | |
|---|--------------|-----|
| Component | Weight | Qty |
| Left Corner | 16Kg | 2 |
| Right Corner | 16Kg | 2 |
| 300 Ramp | 17Kg | 6 |
| Total Weight of Modules | 166Kg | |
| M10 x 120mm Coach Screws | | 44 |
| M10 Washers | | 44 |
| Torx Screw | | 6 |
| Rediplug | | 50 |
| Bungs | | 44 |
| Resin | | 2 |
| Nozzles | | 4 |
| Angle Iron 1240mm long | 4.3Kg | 2 |
| Total Weight of Fixing Kit and Angle Iron | 16Kg | |
| Total Weight of Kit | 182Kg | |