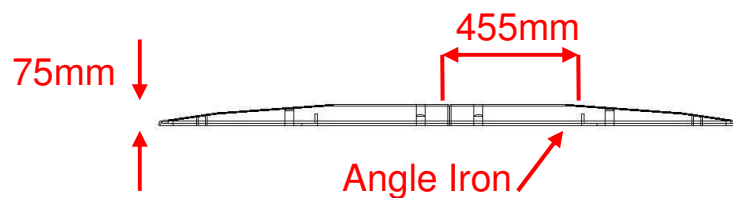
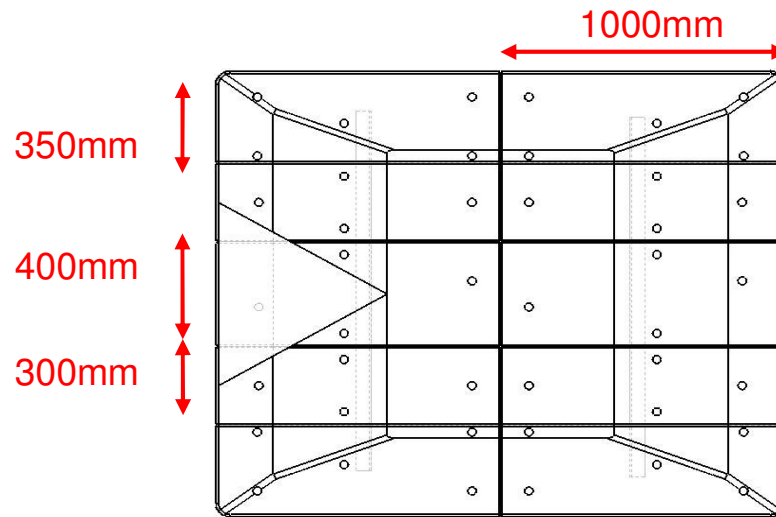
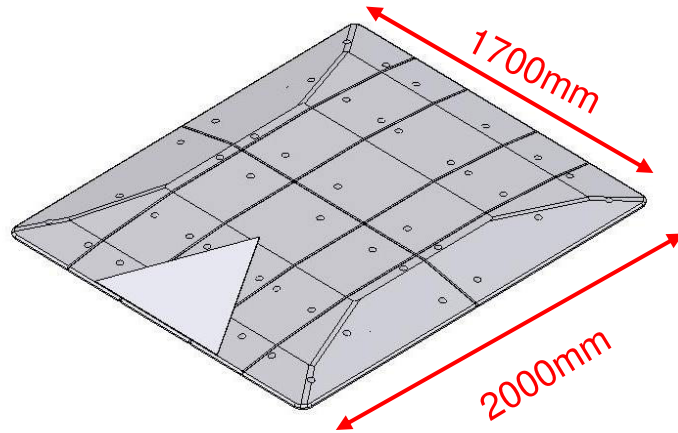


1700 x 2000 Surface 75 Speed Cushion



Complete Module Kits		
Component	Weight	Qty
Left Corner	15Kg	2
Right Corner	15Kg	2
400 Ramp	26Kg	2
300 Ramp	19Kg	4
Total weight of modules	188Kg	
M10 x 120mm Coach Screws		44
M10 Washers		44
Torx Screw		6
Rediplug		50
Bungs		44
Resin		2
Nozzles		4
Angle Iron 1240 mm long	4.3Kg	2
Total weight of Fixing Kit & Angle Iron	16Kg	
Total Weight of Kit	204Kg	