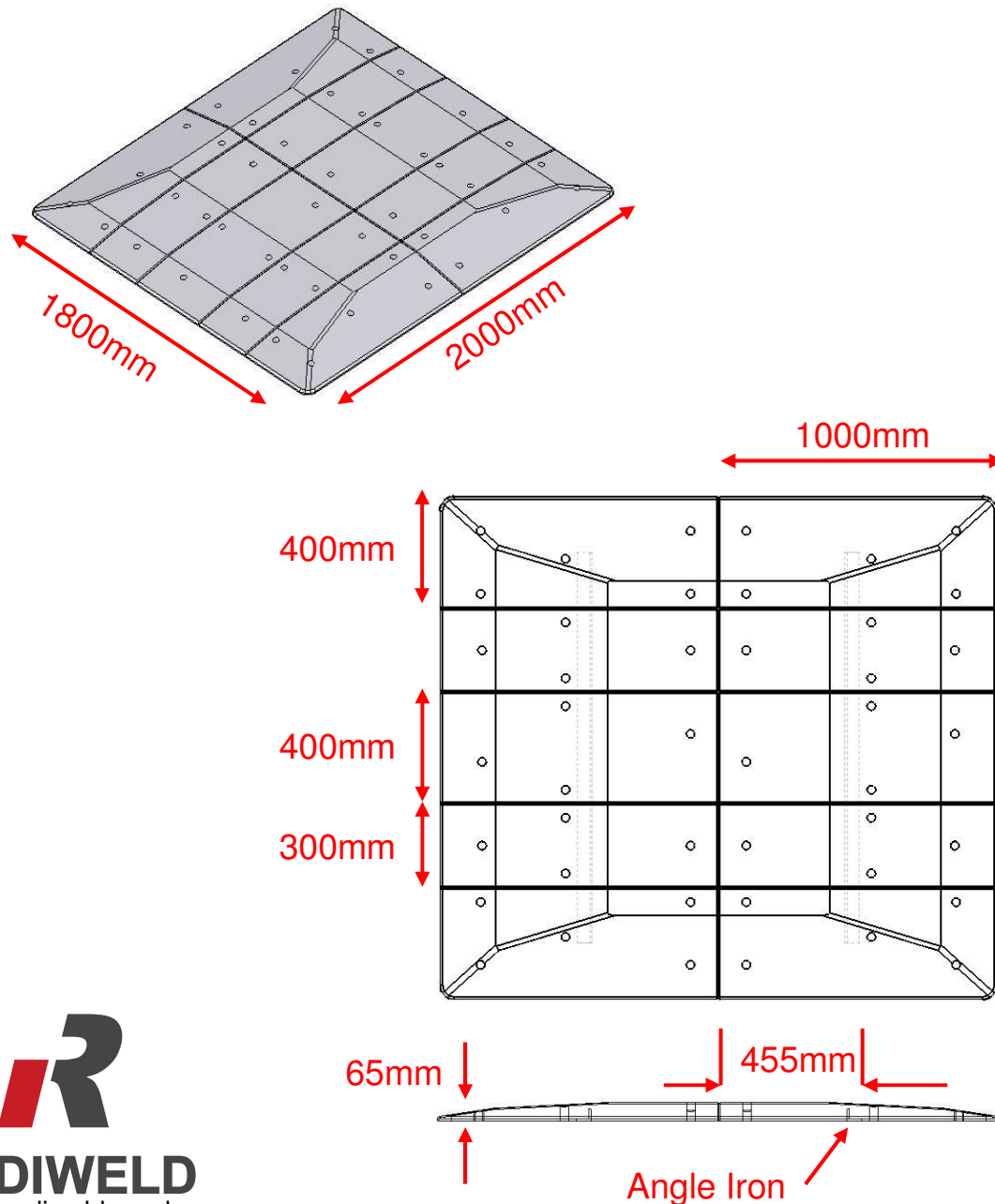


1800 x 2000 Surface 65 Speed Cushion



Complete Module Kits		
Component	Weight	Qty
Left Corner	16Kg	2
Right Corner	16Kg	2
300 Ramp	17Kg	4
400 Ramp	23Kg	2
Total Weight of Modules	178Kg	
M10 x 120mm Coach Screws		44
M10 Washers		44
Torx Screw		6
Rediplug		50
Bungs		44
Resin		2
Nozzles		3
Angle Iron 1340mm long	4.5Kg	2
Total Weight of Fixing Kit and Angle Iron	16Kg	
Total Weight of Kit	194Kg	