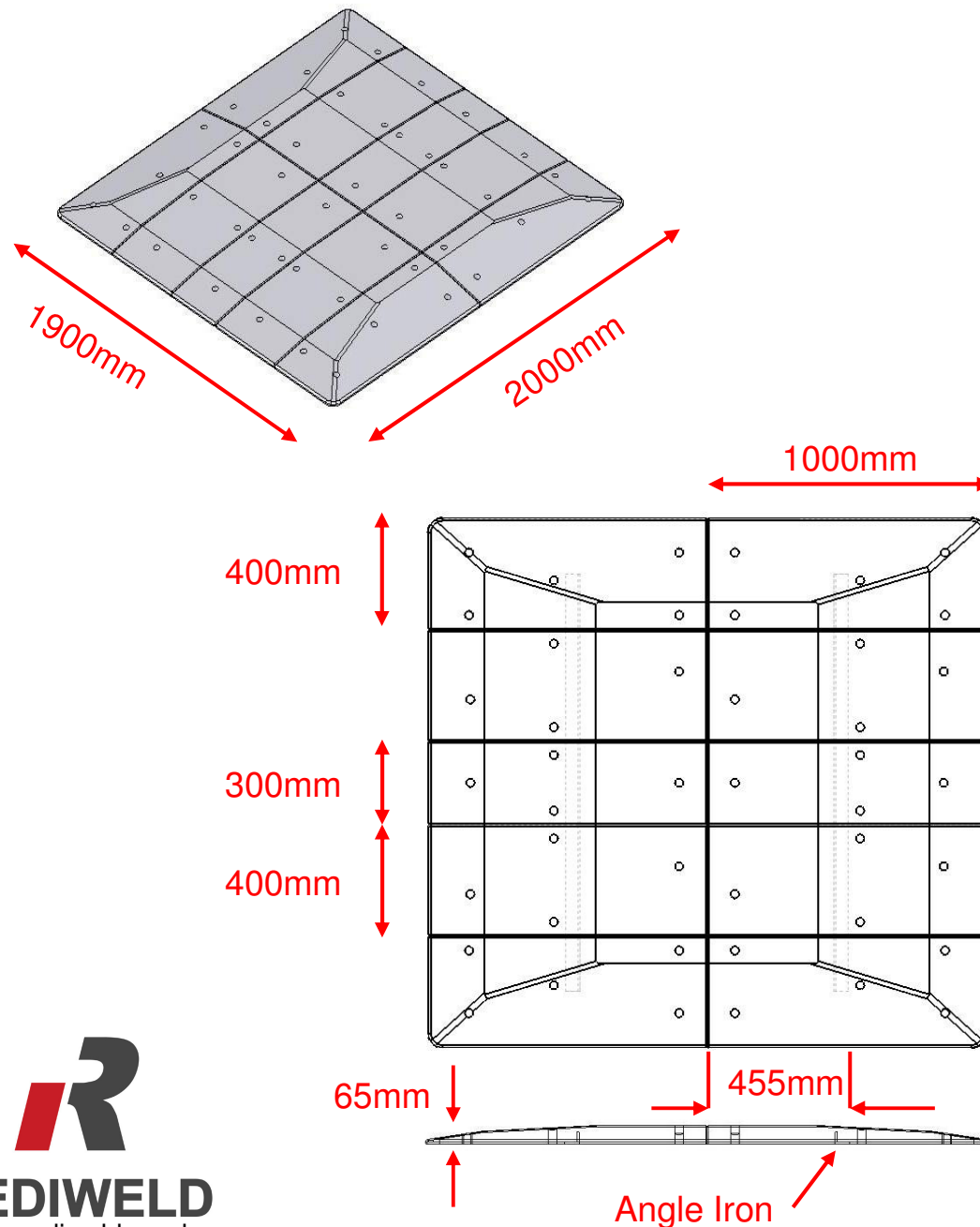


1900 x 2000 Surface 65 Speed Cushion



Complete Module Kits		
Component	Weight	Qty
Left Corner	16Kg	2
Right Corner	16Kg	2
300 Ramp	17Kg	2
400 Ramp	23Kg	4
Total Weight of Modules	190Kg	
M10 x 120mm Coach Screws		44
M10 Washers		44
Torx Screw		6
Rediplug		50
Bungs		44
Resin		2
Nozzles		4
Angle Iron 1440mm long	5Kg	2
Total Weight of Fixing Kit and Angle Iron	17Kg	
Total Weight of Kit	207Kg	