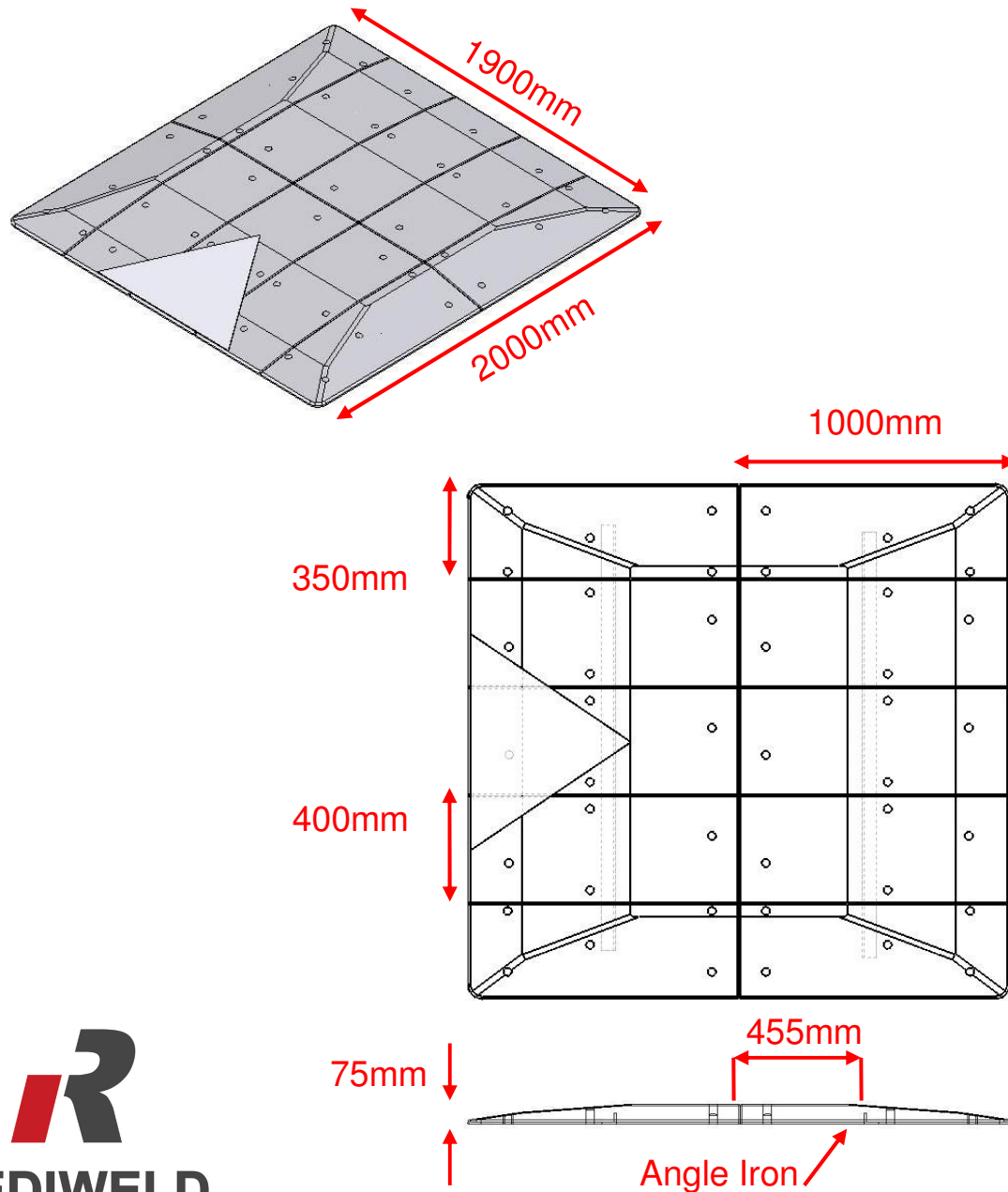


1900 x 2000 Surface 75 Speed Cushion



Complete Module Kits		
Component	Weight	Qty
Left Corner	15Kg	2
Right Corner	15Kg	2
400 Ramp	26Kg	6
Total weight of modules	216Kg	
M10 x 120mm Coach Screws		44
M10 Washers		44
Torx Screw		6
Rediplug		50
Bungs		44
Resin		2
Nozzles		4
1440mm long Angle Iron	5Kg	2
Total weight of Fixing Kit & Angle Iron	17Kg	
Total Weight of Kit	233Kg	