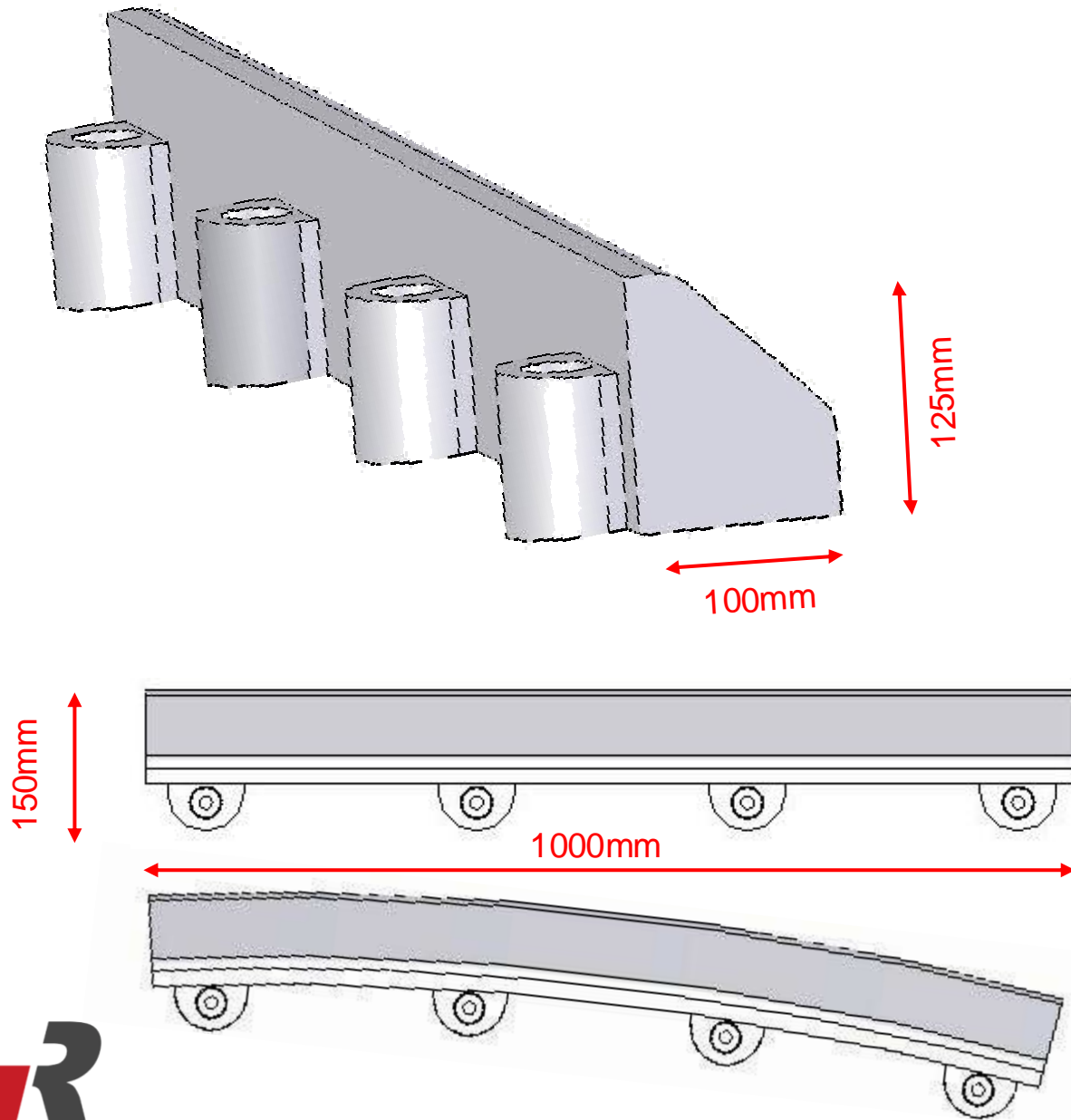


Flexikerb 1m Kerb



Minimum recommended
bend radius 4.0m

Kerb Weight 11 Kg