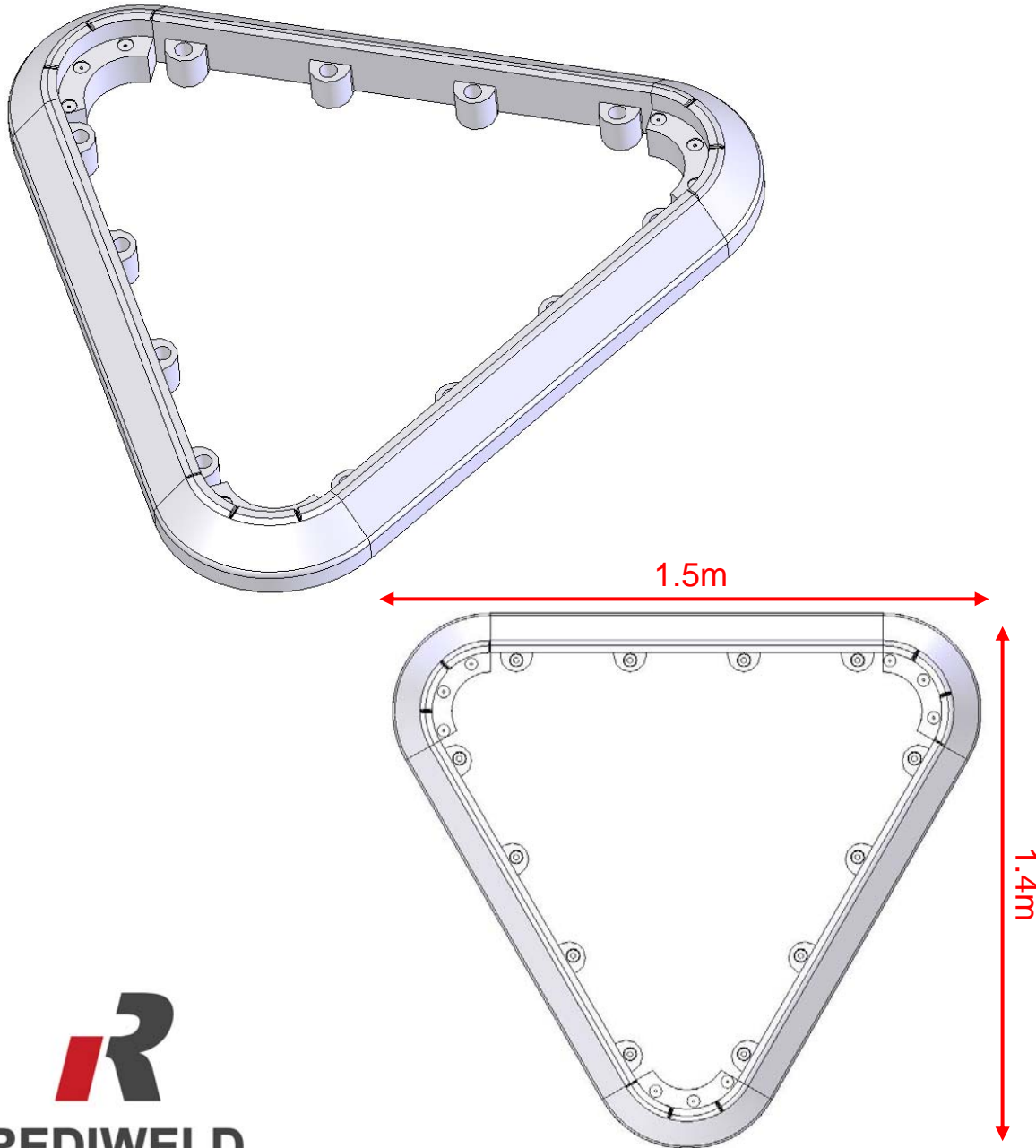


# Flexikerb Triangular Build Out 1.5m x 1.4m



1.5m x 1.4m Traffic Island Kit		
Component	Weight	Quantity
Flexikerb	11Kg	3
120° Corner	6Kg	3
M10 x 120mm Coach Screws		21
M10 Washers		21
Rediplug		21
Total Weight	51Kg	



Rediweld Rubber and Plastics Ltd  
6/9 Newman Lane, Alton, Hampshire. GU34 2QR  
Telephone 01420 543007 Fax 01420 544090