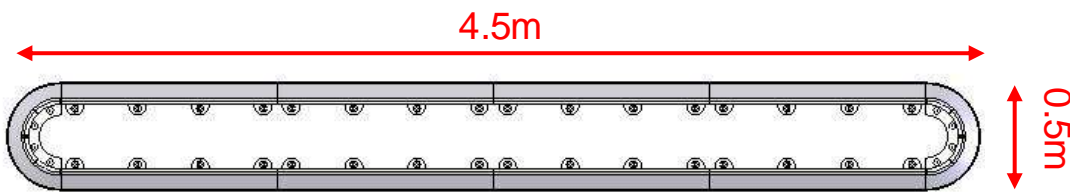
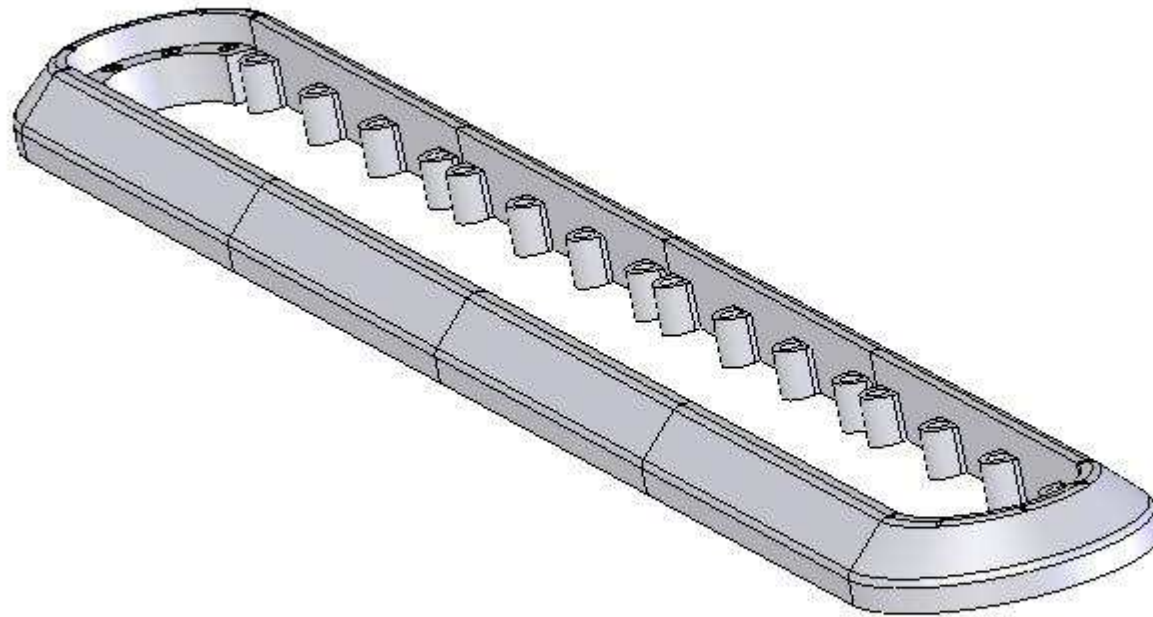


Flexikerb Lane Separator 4.5m x 0.5m



| 4.5m x 0.5m Traffic Island Kit | | |
|--------------------------------|--------|----------|
| Component | Weight | Quantity |
| Flexikerb | 11Kg | 8 |
| 180 ° Corner | 8Kg | 2 |
| M10 x 120mm Coach Screws | | 40 |
| M10 Washers | | 40 |
| Rediplug | | 40 |
| Total Weight | 108Kg | |