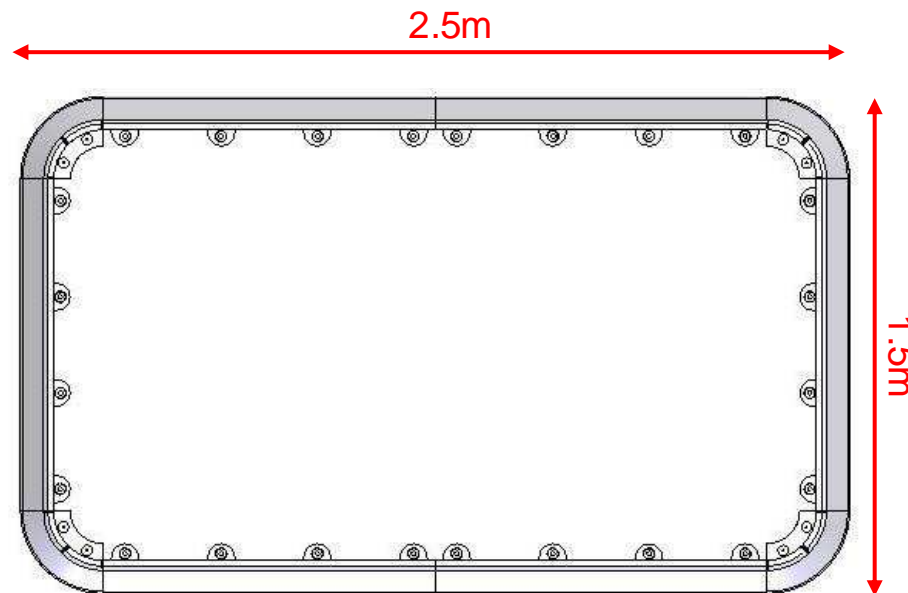
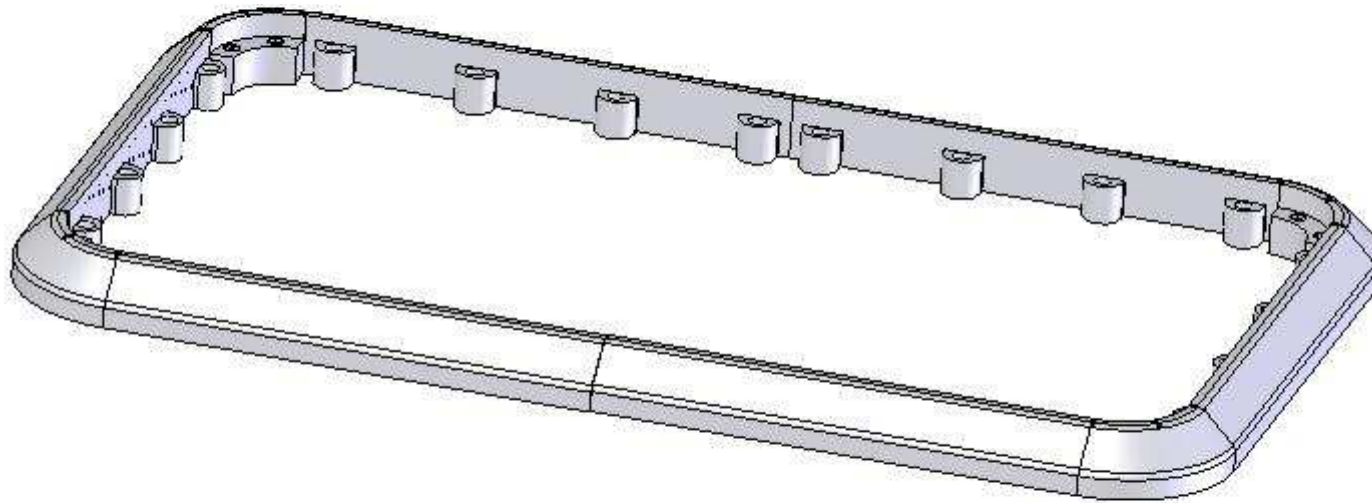


# Flexikerb Rectangular Build Out 2.5m x 1.5m



2.5m x 1.5m Rectangular Build Out Kit		
Component	Weight	Quantity
Flexikerb	11Kg	6
90 ° Corner	4Kg	4
M10 x 120mm Coach Screws		32
M10 Washers		32
Rediplug		32
Total Weight	82Kg	



Rediweld Rubber and Plastics Ltd  
6/9 Newman Lane, Alton, Hampshire. GU34 2QR  
Telephone 01420 543007 Fax 01420 544090