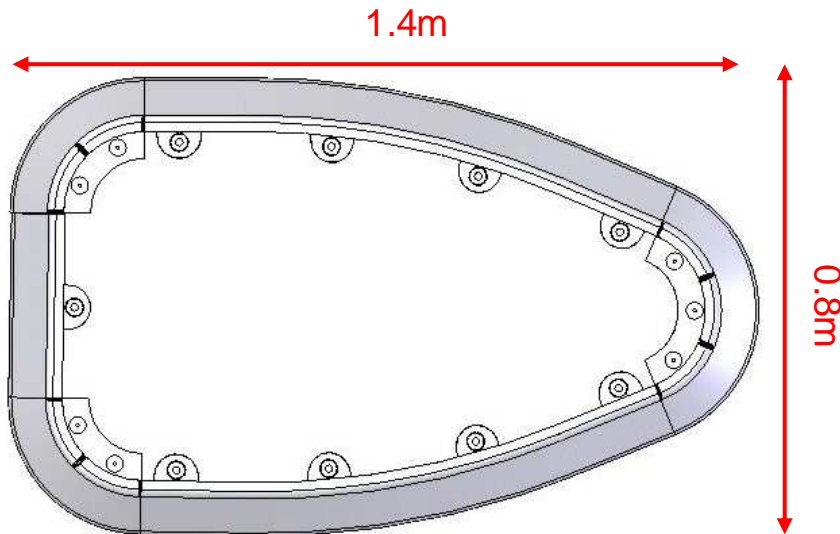
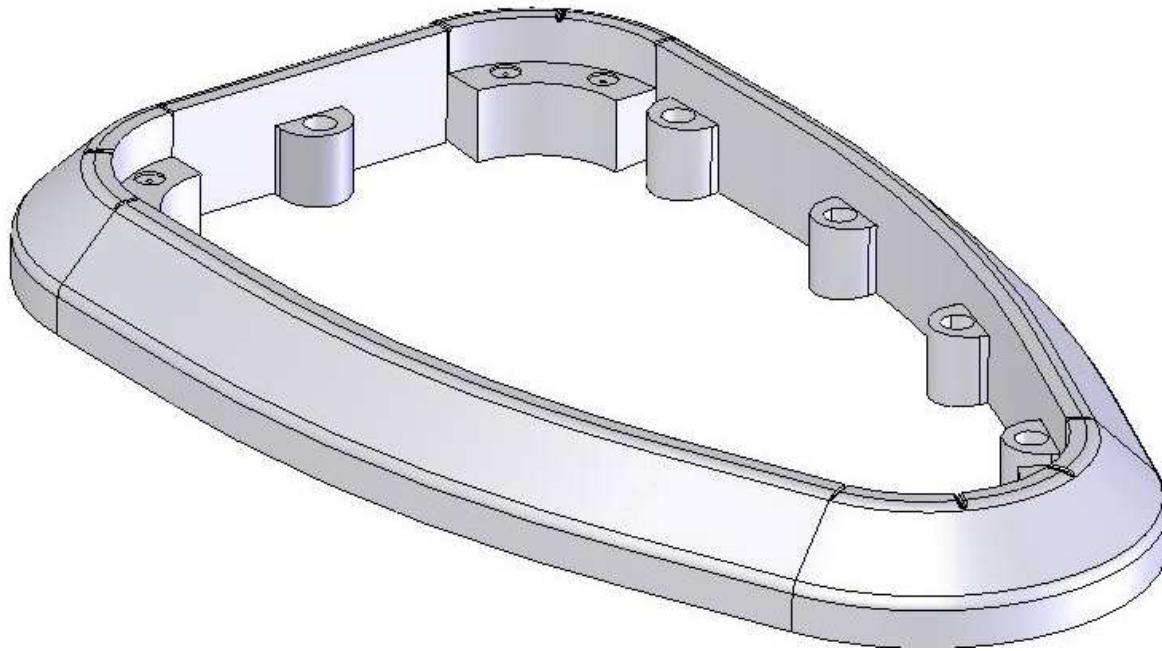


Flexikerb Traffic Island 1.4m x 0.8m



1.4m x 0.8m Traffic Island Kit		
Component	Weight	Quantity
Flexikerb (0.3m long)	4Kg	1
Flexikerb (1.0 m long)	11Kg	2
135° Corner	6Kg	1
90° Corner	4Kg	2
M10 x 120mm Coach Screws		16
M10 Washers		16
Rediplug		16
Total Weight	42Kg	



Rediweld Rubber and Plastics Ltd
 6/9 Newman Lane, Alton, Hampshire. GU34 2QR
 Telephone 01420 543007 Fax 01420 544090